

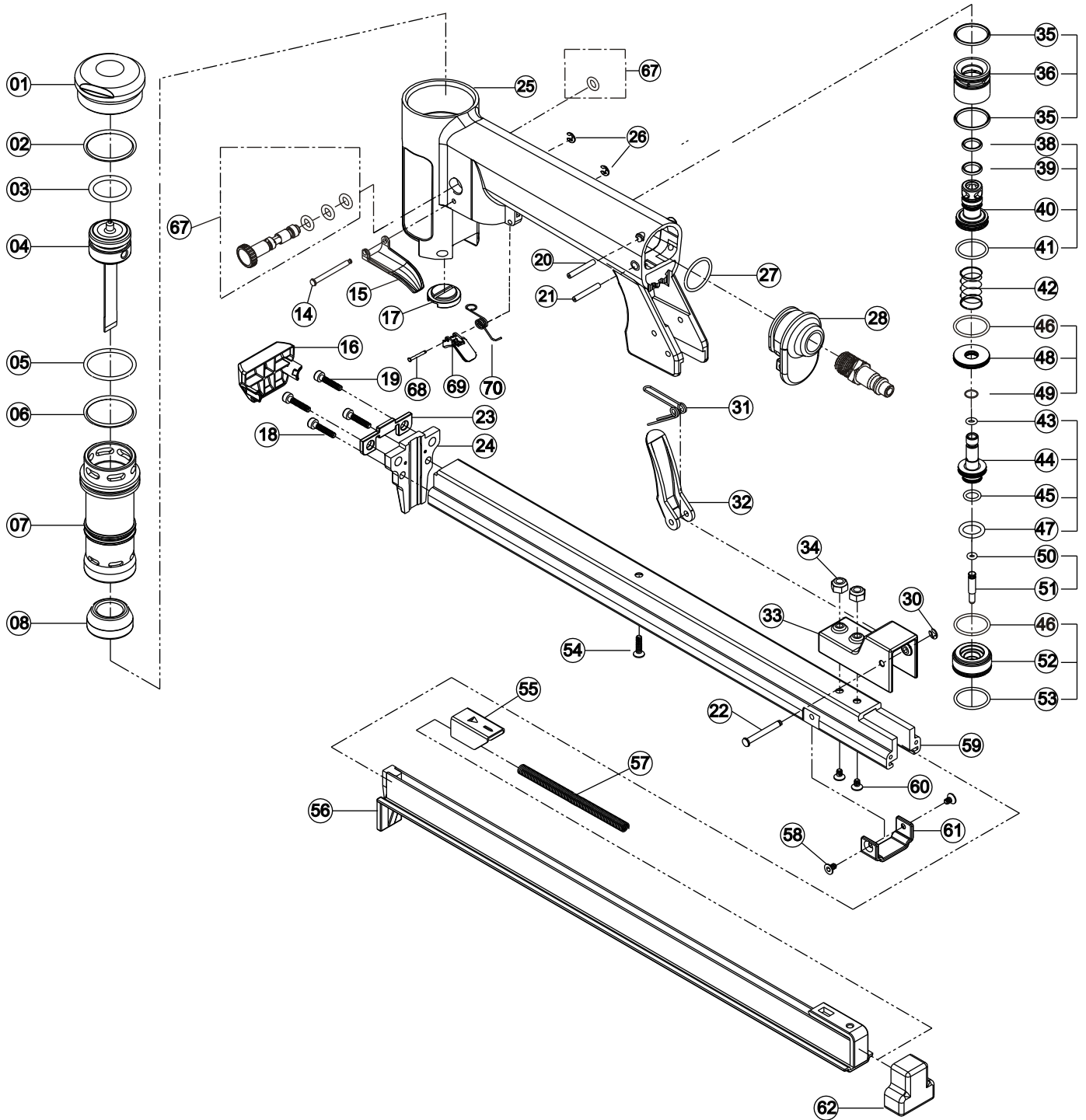
# MODEL BS8016AF-B SPOTNAILS®

DIVISION OF PEACE INDUSTRIES, LTD.

1100 Hicks Rd

Rolling Meadows, IL 60008

Phone : 847-259-1620



## SPOTNAILS MODEL **BS8016AF-B**

Ref No.	Part No.	Description
01	P-60193	Cap
◆ 02	P-64468	O-Ring
◆ 03	P-64469	O-Ring
04	AS-06085	Piston & Driver Assembly
◆ 05	P-64470	O-Ring
◆ 06	P-64471	O-Ring
07	P-05115	Cylinder
◆ 08	P-15236	Bumper
14	P-07482	Step Pin
15	P-21089	Trigger
16	P-12504	Nose Cover
◆ 17	P-15237	Seal
18	P-24510	Screw
19	P-24612	Screw
20	P-07391	Split Pin
21	P-07392	Split Pin
22	P-07393	Step Pin
23	P-10316	Nose Plate
24	P-10319	Front Plate
25	P-01296	Body
26	P-32292	C-Ring
27	P-64476	O-Ring
28	P-60194	End Cap
30	P-32241	E-Ring
31	P-18490	Magazine Latch Spring
32	P-04083	Magazine Latch
33	P-04084	Latch Bracket
34	P-26175	Nut
◆ 35	P-64477	O-Ring
36	P-22192	Trigger Valve A
◆ 38	P-64478	O-Ring

Ref No.	Part No.	Description
◆ 39	P-64479	O-Ring
40	P-22193	Trigger Valve B
◆ 41	P-64480	O-Ring
42	P-18491	Trigger Valve Spring
◆ 43	P-64481	O-Ring
44	P-22194	Trigger Valve C
◆ 45	P-64482	O-Ring
◆ 46	P-64500	O-Ring
◆ 47	P-64483	O-Ring
48	P-22195	Trigger Valve Plate
◆ 49	P-64510	O-Ring
◆ 50	P-64484	O-Ring
51	P-22196	Trigger Valve Plunger
52	P-22197	Trigger Valve Housing
◆ 53	P-64485	O-Ring
54	P-24513	Screw
55	P-09221	Pusher
56	P-12500	Magazine
57	P-18492	Pusher Spring
58	P-24684	Screw
59	P-12501	Magazine Cover
60	P-24515	Screw
61	P-12575	Magazine Retainer
62	P-15238	Rear Magazine Bumper
67	P-22221	Automatic Adjust Switch
68	P-07496	Pin
69	P-21100	Double Trigger
70	P-18579	Double Trigger Spring

- ◆ Parts Included In AS-97392 O-Ring And Seal Kit